



**KaVo GENTLEpower® LUX.**  
**Quality and flexibility.**



KaVo. Dental Excellence.

# KaVo GENTLEpower® LUX.

## Quality and flexibility.

Number one for quality. Second to none in flexibility. KaVo manufactures straight and contra-angle handpieces of extraordinary high quality and versatility. The KaVo GENTLEpower LUX range allows my hands to be as flexible as possible. Each straight and contra-angle handpiece is unique. GENTLEpower LUX 25 LP, GENTLEpower LUX 10 LP, GENTLEpower LUX 29 LP, GENTLEpower LUX 20 LP and GENTLEpower LUX 7 LP combine high operating performance with low operating noise, high-tech features with manageability, ergonomics with sensitivity. Every instrument meets my every expectation of a perfect straight or contra-angle handpiece. It is completely responsive.

GENTLEpower LUX is an instrument programme that has been perfectly designed for the dental practice; suitable for dental practice activities such as conservative treatment, endodontics, prosthetics, prophylactics and orthodontics. Working in close collaboration with the Fraunhofer Institute, KaVo have tailored their entire product range to meet our day-to-day requirements. GENTLEpower LUX offers you the quality and flexibility you need.

- **Ergonomics:** Original KaVo Plasmatec coating gives the handpieces balanced handling and an excellent grip, and makes them extremely hygienic
- **Cost efficiency:** They can be used for a variety of different tasks thanks to the various combinations of shanks and heads available
- **Quality:** All instruments have a long service life and extreme reliability because they are made from premium quality materials and have very low process tolerances
- **Triple gear system:** The globally unique gear system (GENTLEpower LUX 25 LP) provides ultimate power combined with quiet, low vibration operation
- **Ideal angle combination:** The 100° head angle and 19° knee angle (GENTLEpower LUX 25 LP) give you more space and room to work
- **KaVo technology:** 25,000 LUX glass rod fibre-optic bundle with flexible catch and INTRAmatic connection, made of stainless steel
- **Warranty:** 2 year guarantee for all GENTLEpower instruments



GENTLEpower LUX 25 LP



GENTLEpower LUX 20 LP



GENTLEpower LUX 7 LP



GENTLEpower LUX 29 LP



GENTLEpower LUX 10 LP

# KaVo GENTLEpower® LUX. Completely responsive and great to hold.

I want it all, with no compromises. A unique and perfect design, quiet operation and excellent grip make every GENTLEpower instrument a winner. Each instrument responds perfectly to my every movement and intent. I can rely on it completely.



#### **Connectability**

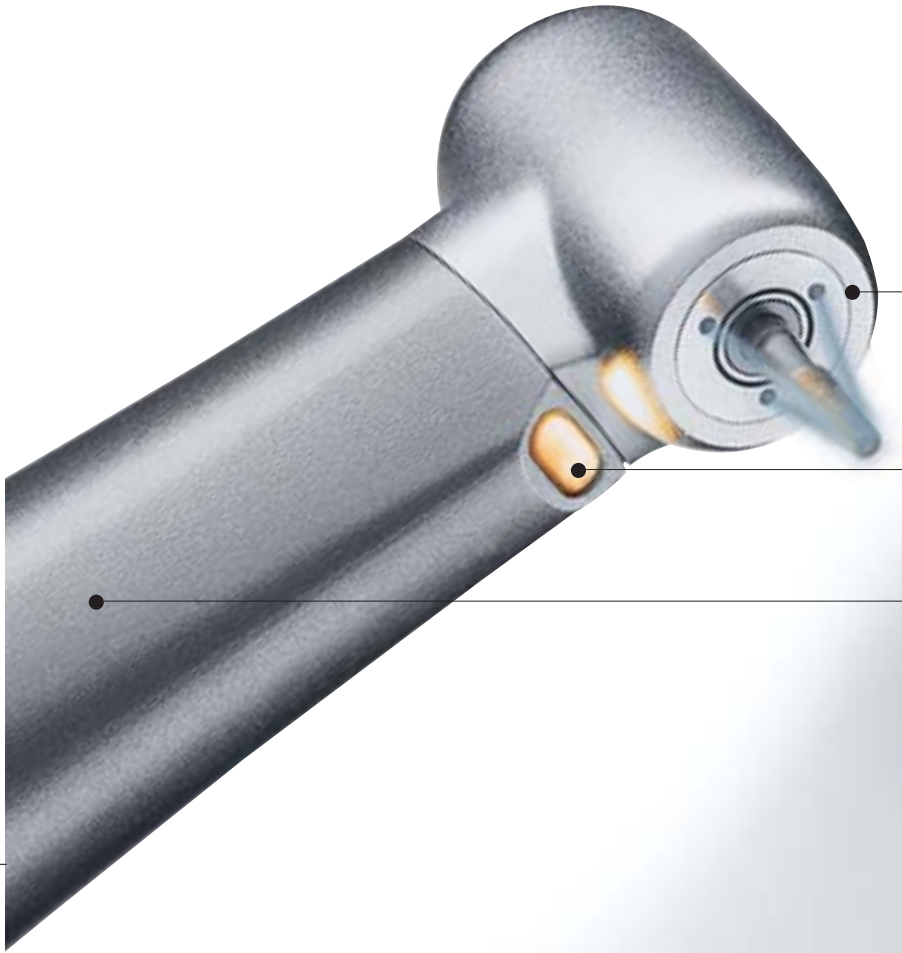
Change instruments as quick as a flash. The flexible, KaVo-patented catch helps increase the speed and safety of instrument changes for GENTLEpower instruments.



#### **Flexibility**

Use anywhere. All GENTLEpower instruments are compatible with INTRAMatic LUX motors.



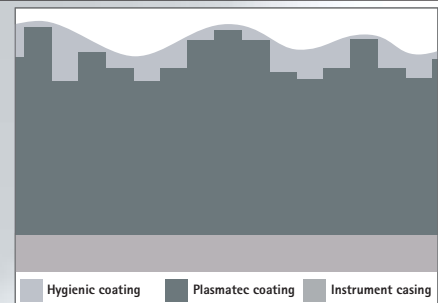


**Cooling**

The temperature is always right. The three port spray emits a fine mist of spray, ensuring that the instrument is always optimally cooled – right up to the bur tip.

**Light**

A perfect view. With 25,000 LUX, the glass rod fibre-optic bundle of GENTLEpower illuminates the preparation area perfectly – with not a shadow to be seen.



**Grip**

KaVo Plasmatec coating provides maximum sensitivity of touch. The choice of high quality materials and special coating process give the GENTLEpower surface a firm grip and, at the same time, protect it from mechanical damage. The Human Touch surface, with its excellent, hygienic grip, is twice as strong as stainless steel, guaranteeing durability and conservation of value.

**Quiet operation**

Low noise guaranteed whatever the speed range. Its quiet, low vibration operation makes GENTLEpower a winner for whatever form of treatment it is being used.



**Hygiene**

As clean as a whistle. KaVo instruments can be thermally disinfected and sterilised in an autoclave at up to 135°C.

# KaVo GENTLEpower® LUX 25 LP. Power unlimited.

I won't let anything hold me down. My hand movements need to be as unrestricted as possible. With GENTLEpower LUX 25 LP I can increase the space I have to operate within the patient's mouth. The small head of this powerful, yet quiet contra-angle handpiece plus the 100° head angle combined with a 19° grip angle give my hand optimum access to all areas of the mouth – including molars. GENTLEpower LUX 25 LP helps me perform even the most demanding of activities; preparing crown tapers for instance.

With a 1:5 speed increasing ratio, GENTLEpower LUX 25 LP offers you maximum power at the tooth. Its integrated micro filter ensures that the coolant can be sprayed through the three nozzle spray without disruption. The robust ceramic ball bearing and unique triple gear system provide a level of durability that was formerly virtually unheard of. And almost unbelievable operating quietness – even at 200,000 min<sup>-1</sup>.

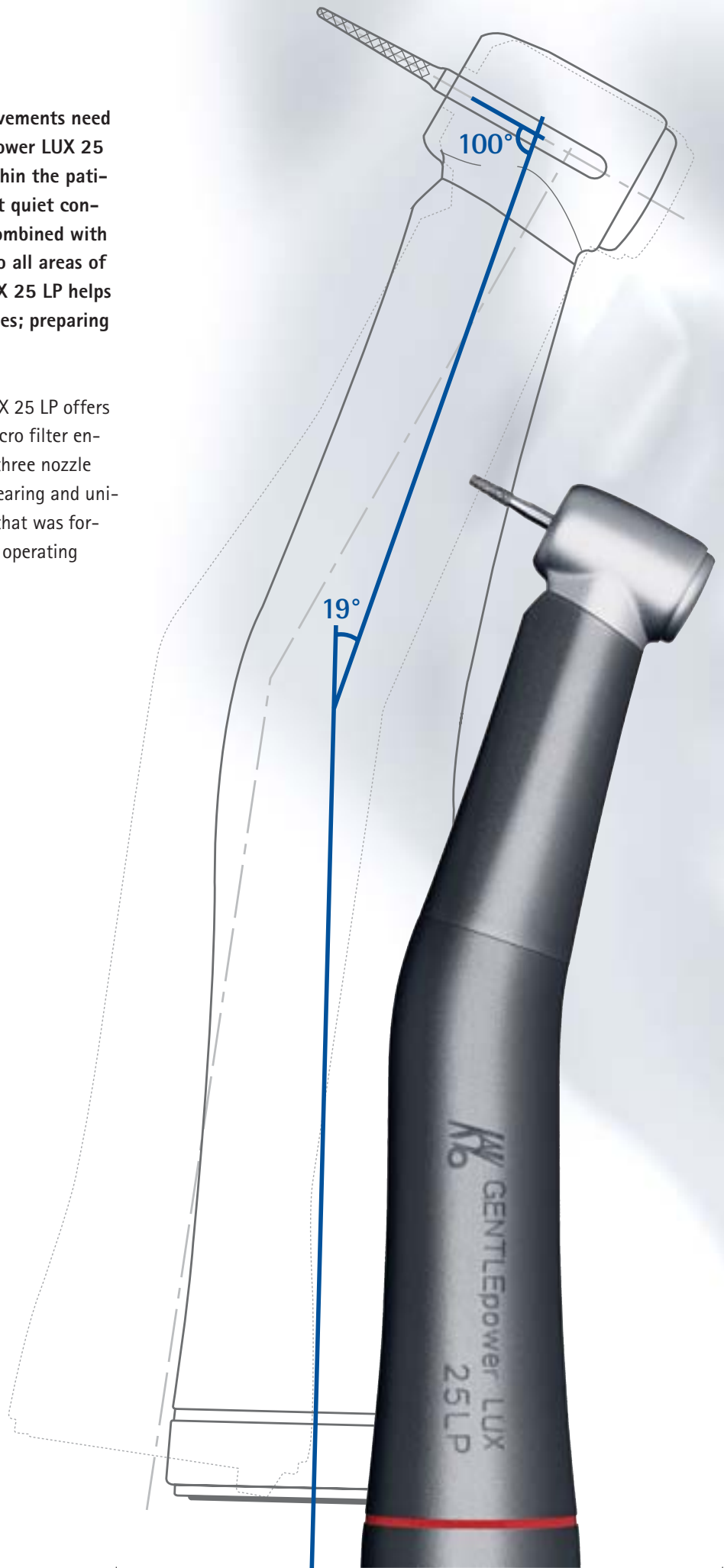
*A powerhouse: GENTLEpower LUX 25 LP.  
REF 1.001.2849*



**KaVo triple gear system.**  
Amazingly quiet operation, minimal wear and tear, safe transmission of power.



**KaVo micro filter.**  
Integrated and replaceable.



# KaVo GENTLEpower® LUX 20 LP. Power universal.

Every finger is different. Every finger performs its own job. Each different finger enables me to perform a different movement – to hold things in a different way.

GENTLEpower LUX 20 LP is like a hand. With a solid 1:1 speed increasing ratio, it is the basic instrument for caries excavation. This universal shank is compatible with every INTRA LUX head. It is the clear practice standard.

*The practice standard: GENTLEpower LUX 20 LP.  
REF 1.001.7453*



**INTRA LUX head 68 LH**  
For removing carious material. To be used with contra-angle handpiece burs. Maximum operating speed: 40,000 min<sup>-1</sup>. Features: push-button control, debris deflector and strengthened chuck system. 1:1 direct drive ratio.  
REF 0.540.2040



**INTRA LUX miniature head 52 LDN**  
Provides the best visual access for the removal of carious material. To be used with contra-angle handpiece burs. Maximum operating speed: 40,000 min<sup>-1</sup>. Features pushbutton control. 1:1 direct drive ratio.  
REF 0.540.1910



**INTRA LUX head 80 LD**  
For finishing and buffing fillings. To be used with 1.6mm diameter turbine burs. Maximum operating speed: 40,000 min<sup>-1</sup>. Features push-button control. 1:1 speed increasing ratio.  
REF 0.540.1830



**INTRA LUX micro head 22 LA**  
For micro-surgical interventions, such as apicectomies. Maximum operating speed: 20,000 min<sup>-1</sup>. 1:1 direct drive ratio. For use with size 2 rose burs.  
REF 0.549.3640



**INTRA LUX micro head 22 LB**  
For micro-surgical interventions, such as apicectomies. Maximum operating speed: 20,000 min<sup>-1</sup>. 1:1 direct drive ratio. For use with size 2 inverted cone burs.  
REF 0.549.3650

# KaVo GENTLEpower® LUX 7 LP.

## Power in exactly the right dose.

I like to have everything under control. I want to feel power right through to my fingertips. And I want to be able to exert the maximum amount of power with the minimum amount of effort and expenditure.

With its 2.7:1 speed reduction ratio, GENTLEpower LUX 7 LP offers extreme sensitivity. This shank is compatible with the various INTRA LUX heads, such as prophylactic heads or "Intensiv" branded interdental file heads.

*Controlled power: GENTLEpower LUX 7 LP.*  
REF 1.001.7452



**INTRA LUX speed reduction head 67 LH**

Achieves a bur speed of between 3,000 min<sup>-1</sup> and 20,000 min<sup>-1</sup>, as recommended for caries removal. To be used with contra-angle handpiece burs. More powerful. Maximum operating speed: 20,000 min<sup>-1</sup>. Features: pushbutton control, debris deflector and strengthened chuck system. 2:1 speed reduction ratio. REF 0.540.8460



**INTRA LUX Precontrol head 61 LRG**

For perfect bevelling of inlay cavities, preparation borders and borders for anterior composites; for finishing borders in veneer preparations and chamfer preparations; for bevelling shoulders in crown preparations; for removing enamel lammellae and for finishing cavity walls; for controlled substance removal in odontoplasty. Gentle and efficient preparation thanks to its damped 0.8mm stroke. Maximum operating speed: 20,000 min<sup>-1</sup>. REF 0.549.3450



**INTRA LUX prophylactic universal head 31 LR**

For removing plaque, polishing fillings and smoothing the tooth surface; after air abrasion or scaler treatment for instance. With multiple seals to prevent the penetration of polishing paste. Thread and button. Maximum operating speed: 4,000 min<sup>-1</sup>. 2:1 speed reduction ratio. REF 0.549.3380



**INTRA LUX EVA Prophylactic head 61 LG**

For cleaning interdental spaces, removing excess filling material plus supragingival/subgingival plaque and for performing root planing. To be used with slightly abrasive paste. For use with freely rotatable files (Cavishape, Bevelshape, Proxoshape and Rootshape files). Treatment is gentle on tissue and comfortable thanks to its damped 0.8mm stroke. Maximum operating speed: 10,000 min<sup>-1</sup>. REF 0.549.3410



**INTRA LUX EVA Prophylactic head 61 LC**

For cleaning interdental spaces, removing excess filling material plus supragingival/subgingival plaque and for performing root smoothing. To be used with slightly abrasive paste. Stroke is 1.5mm high, it is used with freely rotatable files (Cavishape, Bevelshape, Proxoshape and Rootshape files). Maximum operating speed: 10,000 min<sup>-1</sup>. REF 0.549.3440

## KaVo GENTLEpower® LUX 29 LP. Power – deliberately controlled.

I want maximum control at minimum speeds. GENTLEpower LUX 29 LP gives my hand the sensitivity of touch that I need when carrying out extremely sensitive and complex engine-driven root canal treatments. And these low speeds and utmost control are exactly what you need for high precision work.

GENTLEpower LUX 29 LP for high precision work. With a 7.4:1 speed reduction ratio, GENTLEpower LUX 29 LP has its energy completely under control.

*Sensitive to the touch: GENTLEpower LUX 29 LP.*  
REF 1.001.7454



### INTRA LUX endo head 53 LDN

For preparing root canals with root canal instruments that have a 2.35mm shaft diameter. Reciprocating 90° oscillation to avoid instrument fractures. Features pushbutton chuck. Maximum operating speed: 3,000 min<sup>-1</sup>.  
REF 0.549.3780



### INTRA LUX speed reduction head 62 LDN

For filling root canals with the aid of a lentulo, condensing root canal filling materials and for gently inserting root posts. Easily used with NiTi files. Features pushbutton chuck for contra-angle handpiece instruments. Maximum operating speed: 2,000 min<sup>-1</sup>. 10:1 speed reduction ratio.  
REF 0.540.8310



### INTRA LUX endo head 3 LD

For preparing root canals with manual root canal instruments that have a 3.5mm to 4mm grip diameter. Reciprocating 90° oscillation to avoid instrument fractures. Features pushbutton chuck. Maximum operating speed: 3,000 min<sup>-1</sup>.  
REF 0.549.3720



### INTRA LUX endo head 3 LDSY

For preparing root canals with manual root canal instruments that have a 3.5mm to 4mm grip diameter. It can freely rotate radially through 360°, allowing it to absorb energy and adapt to torsional force resistances. With pushbutton chuck. 0.4 mm stroke movement. Maximum operating speed: 3,000 min<sup>-1</sup>.  
REF 0.549.3750



### INTRA LUX amalgam vibrator head 66 LD

For condensing amalgam; delivered with special attachments that are perfectly suited to condensing gold foil compactions. With pushbutton chuck. Maximum operating speed: 5,000 min<sup>-1</sup>.  
REF 0.549.3180

# KaVo GENTLEpower® LUX 10 LP.

## Power – straight up.

I don't want my hand to be diverted off course. Every movement must be precise and on target. Every instrument must be exactly attuned to my every movement. GENTLEpower LUX 10 LP facilitates such high precision work – both inside and outside of the mouth.

GENTLEpower LUX 10 LP is the instrument for day-to-day dental practice work. It is ideal for preparations both within the easily accessible anterior region and for surgical interventions such as apicectomies. The handpiece is also ideal for use in extraoral techniques such as prosthetic adjustments.

*Straight as a die: GENTLEpower LUX 10 LP.*  
REF 1.001.5660



## KaVo QUATTROcare, KaVo SPRAYrotor, KaVo Spray. Enjoy top quality – and care that keeps it that way.

Every KaVo instrument is of the highest quality. And I want it to stay that way. To prevent KaVo instruments from losing any of their lustre or value, I care for them using a special, KaVo-designed care programme. This programme includes KaVo QUATTROcare, KaVo SPRAYrotor and KAVOspray. Durability does not depend on quality alone; it also depends on my approach to conserving value.

To accompany its extremely high quality instruments, KaVo has a range of equally high quality care products. These products have been specifically designed to suit the care requirements of each individual instrument, they are of a unique quality and guarantee a long service life for your instruments.

### KaVo QUATTROcare 2104 A

Value conservation par excellence. The innovative care system automatically cleans and maintains up to four instruments at a time.  
REF 0.411.7800

### KaVo SPRAYrotor 3 N

Intensive cleaning. Rotates to reach even the narrowest spray channels.  
REF 0.411.7710

### KaVo Spray

Efficient cleaning. 500ml for manual maintenance of all KaVo straight and contra-angle handpieces, heads and turbines.  
REF 0.411.9640





D-88400 Biberach/Riß  
Telefon: +49 73 51 56-0  
Fax: +49 73 51 56-14 88  
Internet: [www.kavo.com](http://www.kavo.com)